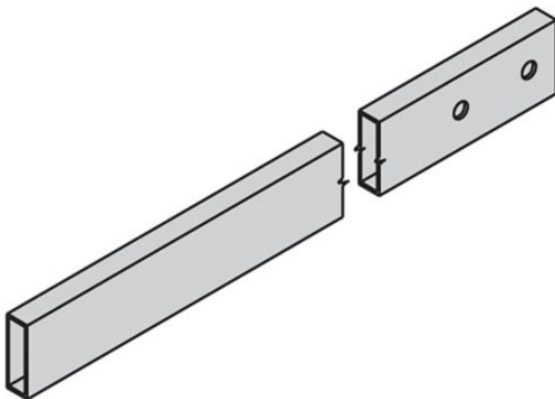


# Eaton SB2003E2YZ

Catalog Number: SB2003E2YZ

Eaton auxiliary support kit, Steel, Yellow zinc, Used with 9/16-2" tube or channel, Spanner clip kit

## General specifications



**Product Name**  
Eaton auxiliary support kit

**Catalog Number**  
SB2003E2YZ

**UPC**  
799038015666

**Product Length/Depth**  
5 in

**Product Height**  
5 in

**Product Width**  
1.25 in

**Product Weight**  
0.6 lb

**Certifications**  
Not Applicable

## Product specifications

### Model

Spanner clip kit

### Material

Steel

### Finish

Yellow zinc chromate

## Resources

### Catalogs

[auxillary supports](#)

### Specifications and datasheets

[Eaton Specification Sheet - SB2003E2YZ](#)



Eaton Corporation plc  
Eaton House  
30 Pembroke Road  
Dublin 4, Ireland  
Eaton.com

© 2023 Eaton. All Rights Reserved.

Eaton is a registered trademark.

All other trademarks are property of their respective owners.



[Eaton.com/socialmedia](https://www.eaton.com/socialmedia)